

Instructions for use



FOR THE WAY IT'S MADE.®

Before using your wine cellar	4
Safeguarding the environment	4
Precautions and general recommendations	5
Introduction to wine	6
Storing the bottles	6
Table of the best serving temperatures for wines	9
Description of the appliance	9
How to operate the appliance	10
Cleaning and maintenance	12
Troubleshooting guide	13
After-Sales Service	14
Installation	15

Before using your wine cellar

1. This appliance is intended to be used in household and similar applications such as
 - staff kitchen areas in shops, offices and other working environments;
 - farm houses and by clients in hotels, motels and other residential type environments;
 - bed and breakfast type environments.


To ensure best use of your new appliance, carefully read the operating instructions, which also provide a description of the product and useful advice on storing wine.

Keep this handbook for future reference.

1. After unpacking the appliance, make sure the door closes properly. Any damage must be reported to the dealer within 24 hours.
2. **Wait at least two hours before switching the appliance on, in order to ensure that the refrigerant circuit is fully efficient.**
3. Installation and the electrical connection must be carried out by a qualified technician, according to the manufacturer's instructions and local regulations.

Safeguarding the environment

1. Packing


The packing material is 100% recyclable and is labelled with the recycling symbol . Please dispose of all packing responsibly and carefully. Keep the packaging material (plastic bags, polystyrene parts, etc.) out of the reach of children because it is potentially hazardous.

2. Scrapping/Disposal

The appliance has been made with recyclable material.

This appliance is marked in conformity with European Directive 2002/96/EC, Waste Electrical and Electronic Equipment (WEEE). Making sure that it is scrapped correctly helps to prevent any adverse consequences for health and the environment.



The  symbol on the product, or on the documents accompanying this appliance indicates that this product should not be disposed of as household waste. Please dispose of this appliance at an Electrical & Electronic Equipment Collection point as in accordance with local environmental regulations for waste disposal. When it is scrapped, make it unusable by cutting the power cable and removing the doors and shelves so that children cannot access the inside easily.

Scrap it according to the local rules for the disposal of waste and take it to a collection point. Do not leave it unattended even for a few days because it is a source of danger for children.

For details of your local Collection Point please contact your Local Authority.

Information:

This appliance does not contain CFCs. The refrigerant circuit contains R134a (HFC) or R600a (HC) (see the rating plate inside the appliance).

For appliances with Isobutane (R600a): isobutane is a natural gas which has no effect on the environment but is inflammable. Make sure that the cooling circuit pipes are not damaged.

Declaration of conformity

- This appliance is intended for the storage of food appliances and is manufactured in conformity with regulation (CE) No. 1935/2004.
- This appliance has been designed, manufactured and sold in conformity with:
 - safety objectives of the "Low Voltage" Directive 2006/95/CE (which replaces 73/23/CEE and subsequent amendments);
 - the protection requirements of the "EMC" 89/336/CEE Directive, modified by Directive 2004/108/CEE.

The appliance's electrical safety is only assured when it is correctly connected to an efficient earthing system complying with legal provisions.



Precautions and general recommendations

- The **wine cellar** must only be used for storing bottles of wine, do not place any type of food inside it.
- Do not cover or obstruct the appliance air vents.
- To avoid the risk of children becoming trapped and suffocating, do not allow them to play or hide inside the appliance.
- Before carrying out any maintenance or cleaning operation, unplug the appliance or disconnect the electrical power supply.
- The power cable must only be replaced by an authorised person.
- Be careful not to damage the floors when moving the appliance (e.g.parquet).
- Do not use extension cord or single or multi-adapters.
- Do not damage the refrigerant circuit.
- Do not use or place electrical appliances inside the product if they are not of the type expressly authorised by the Manufacturer.
- Install the appliance in a dry and well-ventilated place. The appliance is arranged for operation in places where the temperature comes within the following ranges, according to the climatic class given on the dataplate: The appliance may not work properly if it is left for a long period at a temperature above or below the specified range.
- Do not store or use petrol, flammable liquids or gas in the vicinity of this or other electrical appliances. The fumes can cause fires or explosions.
- This appliance is not intended for use by persons (including children) with reduced physical, sensory or mental capabilities, or lack of experience and knowledge, unless they have been given supervision or instruction concerning use of the appliance by a person responsible for their safety.

Important:

- If a large quantity of bottles of wine is placed in the wine cellar, it may make a few days before a constant temperature is reached.
- Important! The storage temperature must never drop below +6 °C.
- During operation, it is normal for water droplets and frost to form on the walls of the cellar. Scraping off the frost or drying the water droplets is not necessary. The rear wall is defrosted automatically. The defrost water is automatically run into a drain hole and then into a container where it evaporates.

Bottle arrangement

- Place the bottles in the middle of the rack.
- On closing the door, make sure the bottles do not touch the glass.
- Important; bottles of spirits and liqueurs must be tightly closed and stored upright.
- Areas with different temperatures form inside the appliance, due to circulation of air: the coldest areas are those near the rear wall, and the warmest are near the glass door.
- Always store bottled wines without their packaging, and not inside crates or boxes. The recommended quantity of 0.75 l Bordeaux-type bottles is as follows:33 bottles.

The Manufacturer declines any liability if the above advice and precautions are not respected.

Climatic Class	Room T. (°C)	Room T (°F)
SN	from 10 to 32	from 50 to 90
N	from 16 to 32	from 61 to 90
ST	from 16 to 38	from 61 to 100
T	from 16 to 43	from 61 to 110

- The appliance must be handled and installed by two or more persons.
- During installation, make sure the appliance does not damage the power cable.
- Install and level the appliance on a floor strong enough to take its weight and in a place suitable for its size and use.
- Do not store explosive substances such as aerosol cans with a flammable propellant in this appliance.

Introduction to wine

Storing wine

As is well known, wine will keep for a long time; if kept in a suitable place white wines will keep for about two years from the date of harvest, but should be drunk within a year. Light wines can instead be kept for up to two years, while some full-bodied red wines can keep for ten years and raisin wines even twenty years. When you buy a bottle of wine put it in the cellar or another suitable place immediately. Three factors are vital in the process which starts from the cultivation of the grape, through to ripening, harvesting and wine making: light, air humidity and room temperature. If the taste of the wine is to reach full maturity while maintaining the wine's aroma, it must be stored perfectly by the interaction of these three factors.



Storage space

Not everyone has an underground storage space which can be used as a cellar. Just recently technology has managed to supply a valid substitute for the classic wine cellar. The Wine Cellar which you have purchased is a special appliance designed to contain and store wines correctly. In fact it should not be used to store fruit, vegetables and tins but only your favourite bottles of wine. So, without having a cellar area, every type of wine can be correctly stored, matured and enjoyed.



Storage rules

A vital rule for keeping your favourite bottles is that they should be placed on their sides or inclined so that the wine bathes the cork. Many people think that this causes the well-known "cork" smell. In reality contact between the wine and the cork helps the elasticity of the cork so guaranteeing its effectiveness. Being able to take the bottles easily for use avoids accidental shaking which, like vibration, could cause the sediments to suspend again, so altering the appearance of the wine over time. Move your bottles as little as possible and let the wine rest. Also avoid letting the bottles come into contact with the bottom wall because this would not only affect efficient defrosting but could ruin the bottle labels because of the drops of water collected during defrosting. The shelves on which the bottles are placed must be of wood, which efficiently absorbs any vibrations and keeps the bottle away from the wall which transmits the cold. The bottles of wine must also be kept away from substances or places which have a strong smell because this could easily be transmitted to the wine.

The temperature

The temperature represents a critical factor which is important throughout the wine's life cycle. It determines wine's good development while it remains in the bottle to mature. For best storage the temperature must be kept constant in an interval between 8 and 12°C. Rapid and wide changes of temperature must be avoided: too high a temperature dilates the liquids and speeds up the wine maturing, while too low a temperature (below 4 – 5°C) could cause the precipitation of tartrates, which could affect the wine's appearance. In the extreme case in which the temperature drops below 0°C, the wine may freeze and cause the cork to be expelled.

The cork

The cork is a fundamental component of a bottle of wine: its quality, chosen by the wine producer, is very important for the maturation of the wine itself. The perfect condition of the cork, in the bottles which we buy, depends exclusively on the standards of use and storage used by the producer or bottler.

Storing the bottles

Classical storage with 36 bottles

If you want to arrange the bottles for storing wine so that they are visible and easy to take out, we recommend the 36-bottle configuration (Bordeaux bottle or mixed Bordeaux bottle and German-type bottle). Position a maximum of 6 bottles in the niches of each of the 5 wooden shelves; another 6 bottles can be placed in the slots on the bottom of the cellar to give a total of 36 bottles.

The wooden shelves have a locking system to avoid accidental removals which could cause the bottles to fall. The larger bottles (German-type bottle) should be placed on their side.

Storage with Champagne bottles.

Because Champagne bottles are larger than normal ones, a maximum of 5 must be placed on the bottom of the cellar. If you want to store more Champagne bottles remove the 5th shelf and stack the bottles on top of the bottles placed on the base of the cellar but in the reverse direction. Up to 9 Champagne bottles can be stored in this way.

Taking out the wooden shelves

To take out the wooden shelves proceed as follows:

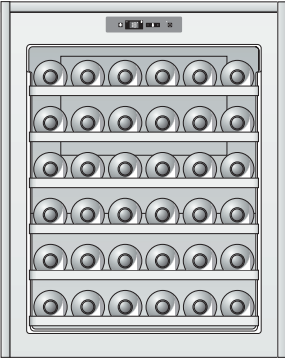
1. Hold the front part of the shelf with one hand.
2. Remove the shelf slowly by pulling it slowly towards you for 1/3 of its total travel.

If there are only a few bottles

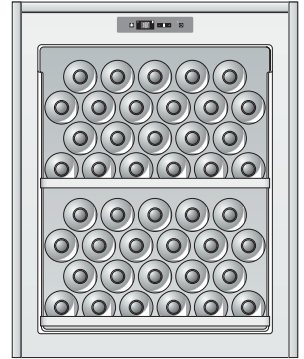
If there are not enough bottles to fill the wine cellar they should be distributed between all the available shelves, avoiding loading them all at the top or all at the bottom. So that they can be more easily seen from outside, they should be placed centrally on all the shelves.

Storing the bottles

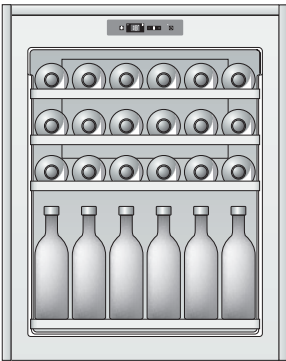
Other configurations for storing bottles



STANDARD
 36 Bottles
 (100% on their sides)
 5 racks used



STORAGE
 44 Bottles (100% on their sides)
 1 rack used



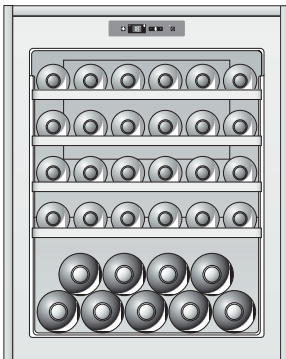
SERVICE
 42 Bottles
 (50% on their sides and 50% upright)
 3 racks used

} 4 rows (6x4)



MAXIMUM STORAGE
 46 Bottles (48% on their sides
 and 52% upright)
 1 rack used

4 rows (6x4) }



STORING CHAMPAGNE BOTTLES

Never take out more than one sliding shelf at once.

Table of the best serving temperatures for wines

The table gives the indicative temperatures at which the wine should be served.

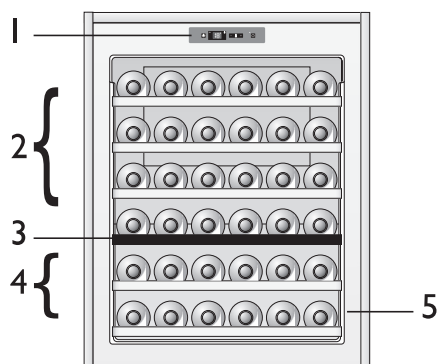
If the wine must be served at a higher temperature than that set inside the cellar, it should be left out for as long as is necessary.

Barolo	17° C
Barbaresco	17° C
Beaujolais	13° C
White Dry Bordeaux	8° C
Red Bordeaux	17° C
White Burgundy	11° C
Red Burgundy	18° C
Brunello	17° C
Champagne	6° C
Chianti Classico	16° C
Passito di Pantelleria	6° C
Rosé Cote de Provence	12° C
Dry and Sweet Spumanti	6° C

Verdicchio	8° C
White Trentino wines	11° C
White Franciacorta wines	11° C
Dry white wines	8° C
Friuli wines	11° C
Rhone wines	15° C
Dry White Loire wines	10° C
Liqueur Loire wines	7° C
Red Loire wines	14° C
Liqueur raisin wines	8-18° C
Vins Nouveaux	12° C
Light Red wines, without much tannin	14° C
Quite full-bodied Red wines, with some tannin	16° C

Description of the appliance

1. Electronic Control Panel
2. Upper compartment with racks
3. Removable separator (black)
4. Lower compartment
5. Rating plate



How to operate the appliance

Preparing the appliance for use

Switching on the appliance

Insert the plug to start the appliance and then set the temperature on the front panel. A green pilot light comes on to indicate that the appliance is switched on.

The product has an internal light that does not come on automatically when the door is opened, but can be switched on as necessary from the control panel by pressing the relevant button.

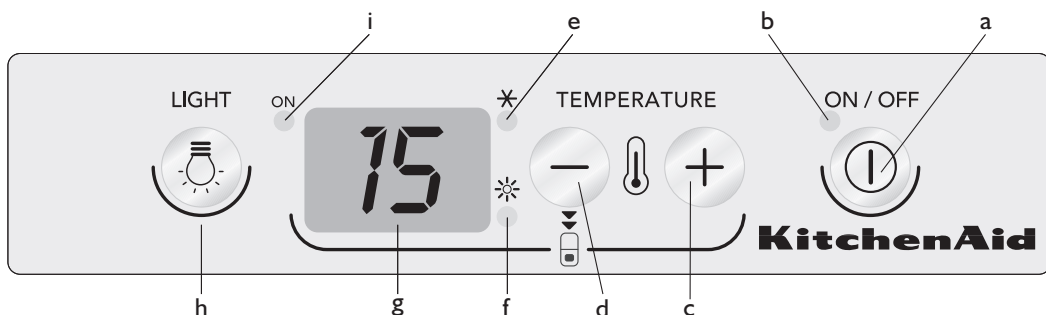
Setting the temperature

For the appliance to work correctly we recommend setting the temperature according to the indications given in the “Introduction to wine” section.

Note:

The room temperature, the door opening frequency and the position of the appliance can influence the internal temperatures.

Description of the control panel



- a) ON/OFF button: appliance on/off
- b) appliance operating pilot light
- c) (+) button to increase the temperature (max +18°C)
- d) (-) button to decrease the temperature (min +6°C)
- e) cooling activated pilot light
- h) heating activated pilot light
- g) temperature in inner compartment display
- h) inside light button
- i) inside light pilot light

Cellar working with double or single temperature zone

The cellar is designed to work with two temperature zones or, as an alternative if the customer so requires, with a single temperature zone. For two-temperature operation position the black bottle-holder rack on the rails of the fourth shelf (starting from the first at the top), then set the temperature required in the upper zone, remembering that once the required temperature is reached the temperature of the lower compartment will be about 6 degrees centigrade higher than that set (the temperature of the lower zone cannot be set separately).

How to operate the appliance

Note:

To store the wine correctly we recommend setting the thermostat temperature at 10°C (upper compartment) to obtain a temperature of 15 – 16°C. For working with one temperature zone the black bottle-holder rack is removed and replaced with the accessory rack (the same type as the other wood-colour racks already installed). Keep the unused rack in a dry and cool place to avoid it being damaged by humidity or other atmospheric agents and thus being unusable in the future.

Setting the temperature

The appliance temperature was set in the factory and corresponds to 15°C (upper compartment).

If necessary, the temperature of the upper compartment can be changed as follows:

1. When connecting to the electrical power supply, the display shows the temperature set inside the compartment.
2. Press the (+) button for about a second; the temperature indicator will start to flash.
3. Press the (+) or (-) buttons until the required temperature has been reached.
4. Wait for 5 seconds for the indicator to shine steadily; the temperature has now been set.
5. Wait for the temperature change to take effect and put the bottles of wine in the cellar. The inside light does not come on (or goes out temporarily) when the inside temperature is higher than 24°C, so that the set temperature can be reached more quickly.

Controlling the temperature

Upper zone: the temperature of the upper zone is that normally shown on the control display.

Lower zone: the temperature of the lower zone cannot be set separately, but is about 5°- 6°C higher than that of the upper compartment. To display the temperature of the lower zone just press the (-) button for a second and the temperature of the lower zone will be displayed for three seconds.

This operation can be repeated several times to check the temperature of the lower zone.

When single-temperature operation is selected by removing the separator, just see the temperature indicated on the control display, without pressing any buttons.

Cleaning and maintenance

Before any maintenance or cleaning, unplug the appliance or disconnect the appliance from the power supply.

The wine cellar defrosts completely automatically.

- Occasional drops of water on the appliance's inner back wall indicate the automatic defrosting phase. The defrost water is automatically conveyed to a drain hole, and then collected in a container where it evaporates.

If necessary...

1. Empty the wine cellar completely.
 2. Disconnect the appliance from the mains.
 3. To prevent the formation of moulds, bad smells and oxidation, the appliance door must remain slightly open (about 3 – 4 cm).
 4. Clean the appliance.
- Clean the inside regularly with a sponge dampened in lukewarm water and/or neutral detergent.
 - Rinse and clean with a soft cloth. Do not use abrasives.
 - Clean the outside with a soft cloth dampened with water. Do not use abrasive pastes or pads, stain removers (e.g. acetone, trichloroethylene) or vinegar.
 - Clean the outside glass with a specific glass cleaner and the inside just with a damp cloth, avoiding using detergents where the wines are properly stored.

Rack cleaning

Use a damp cloth to clean the oak racks. Be careful not to damage the gasket when taking the rack out of the appliance. Open the door as wide as possible.

Replacement of the LED

To replace the LED, contact After-Sales service.

Do not stare at the light when it is on: it could damage your eyesight.

Troubleshooting guide

Before contacting the Customer Care Center...

Problems of operation are often due to simple causes, which may be identified and solved without using any tools.

Appliance noises are normal because its fans and compressors switch on and off automatically.

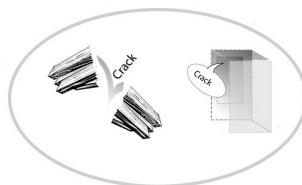
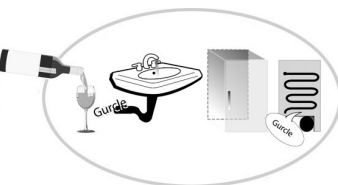
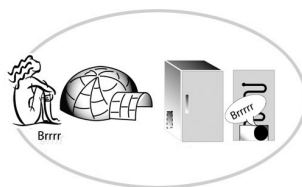
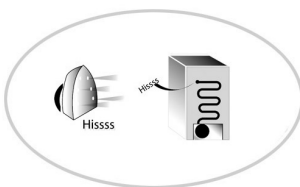
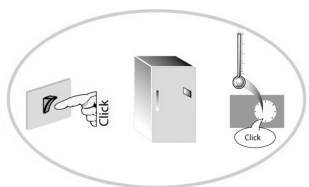
Some operating noises may be reduced by:

- levelling the appliance and installing it on a flat surface
- separating and avoiding contact between the appliance and the units
- making sure that the internal components are placed correctly
- making sure that there is no contact between the bottles and the containers.

Some possible operating noises:

- a whistle when the appliance switches on for the first time or after a long time.
- a splash when the cooling fluid enters the pipes.
- a buzz when the fan start working.
- **a crackle when the compressor starts.**
- an unexpected trip when the compressor switches on and off.

When you hear these noises...



...your appliance is alive and operating!!!

Troubleshooting guide

1. The appliance does not work.

- Is there a power cut?
- Is the plug plugged into the socket properly?
- Is the 2-pole mains switch on?
- Are the electric circuit safety devices installed in the house fully functional?
- Is the power supply cable broken?

2. The temperature inside the wine cellar is not cold enough.

- Has the door been closed properly?
- Are the bottles stopping the door from closing?
- Has the appliance been installed near a heat source?
- Is the selected temperature correct?
- Is the circulation of air through the ventilation openings blocked?

3. The temperature inside the wine cellar is too cold.

- Is the selected temperature correct?

4. The appliance is too noisy.

- Has the appliance been correctly installed?
- Are the pipes in the back part touching or vibrating?

5. There is water on the bottom of the appliance.

- Is the defrost water drain blocked?

After-Sales Service

Before contacting the Customer Care Center...

Switch the appliance on again to see if the problem has disappeared. If not, switch it off again and repeat the operation after an hour.

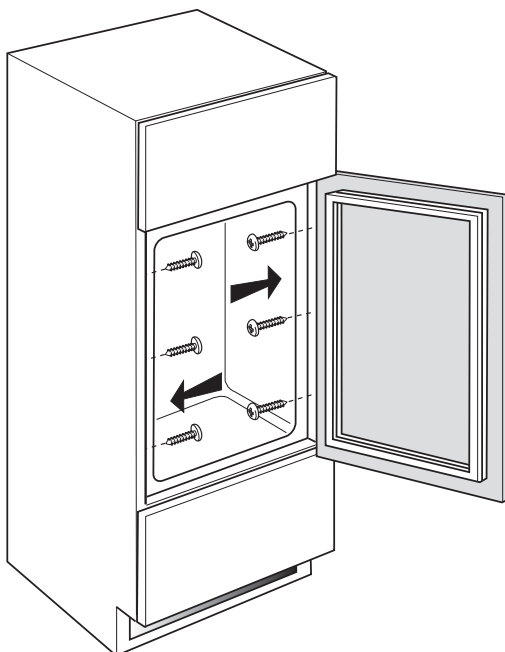
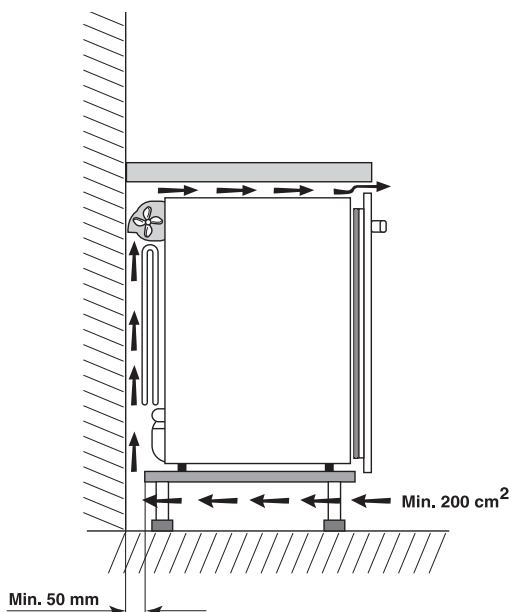
If, after making the checks listed in the troubleshooting guide and switching the appliance on again, it still does not work correctly, contact the Customer Care Center, describing the problem clearly and giving:

- the appliance type and series number (given on the rating plate).
- the type of fault.
- the model.
- the Service number (the number after SERVICE on the rating plate inside the appliance).
- your full address
- your telephone number and area code

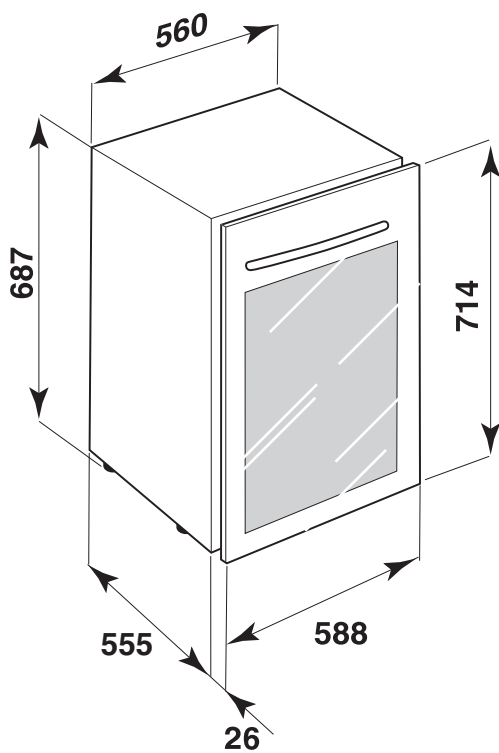
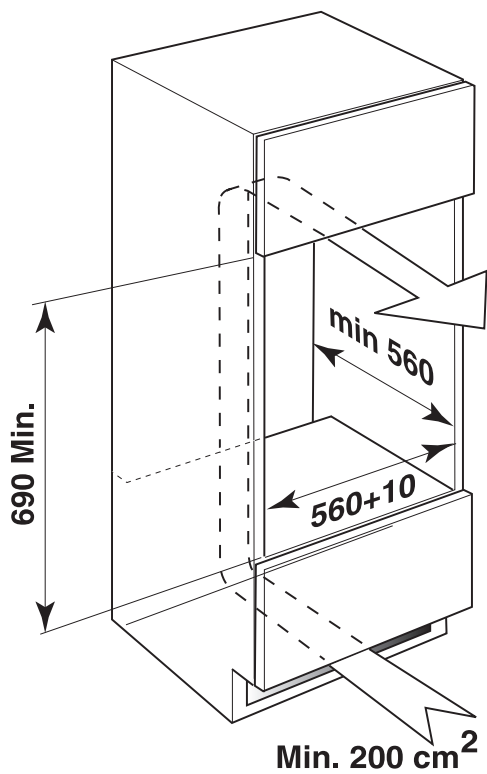


Installation

- Assemble the appliance with the correct ventilation as shown in the figures.
- The doors cannot be reversed on this wine cellar.
- Install the appliance away from heat sources.
- Installation in a hot room, direct exposure to the sun's rays or placing the appliance near a heat source (radiators, cookers), increase power consumption and should be avoided.
- When this is not possible, the following minimum separations should be respected:
 - 30 cm from coal or oil cookers;
 - 3 cm from electric and/or gas cookers.
- Position it in a clean and well-ventilated place.
- Clean the inside (see the "Cleaning and maintenance" chapter).
- Insert the accessories supplied.



Installation



Installation

A) Installation next to kitchen units or cabinets

To allow complete 90° opening of the door, install the product ensuring a space of at least 3.5 mm between the side flanges and the doors of any adjacent kitchen units/cabinets or electrical appliances (as shown in figure 1).

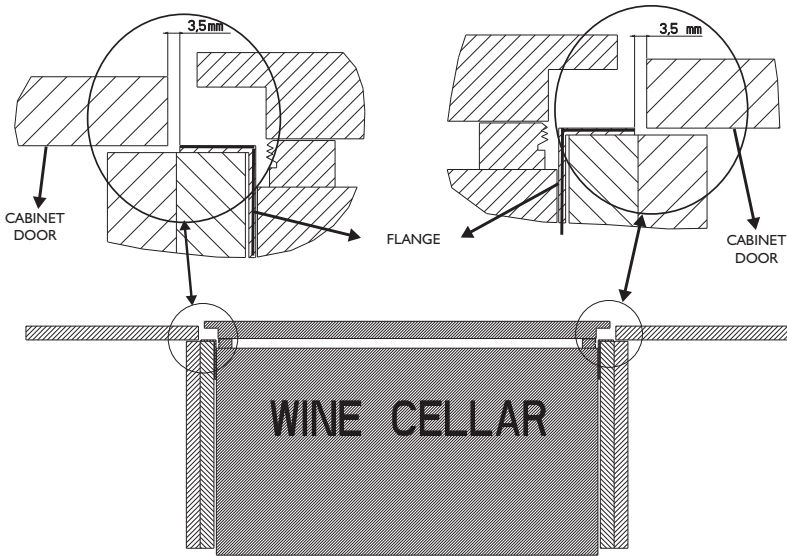


Fig. 1

B) Installation next to walls

To allow complete 90° opening of the door, install the product ensuring a space of at least 60 mm between the side flange and the adjacent wall (as shown in figure 2).

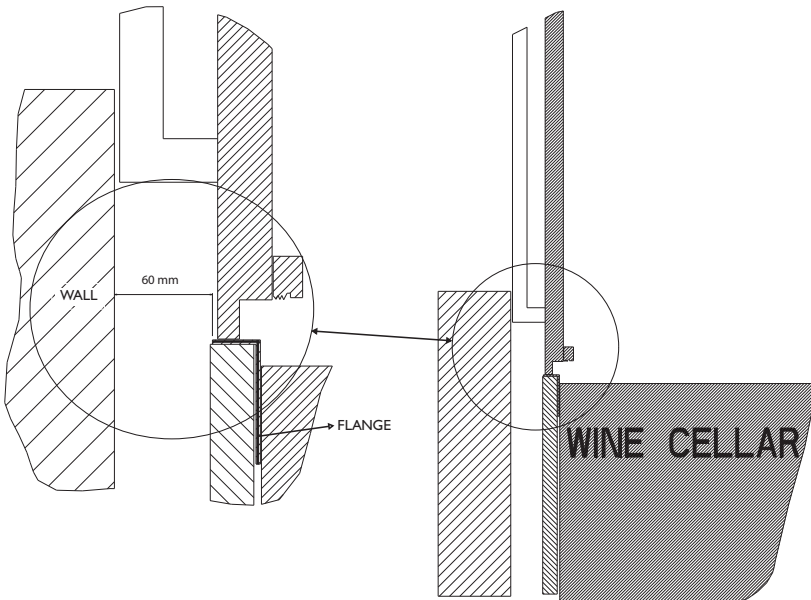


Fig. 2

Electrical connection

- The electrical connections must conform to the local regulations.
- The data on the voltage and power consumption are given on the rating plate inside the appliance.
- Earthing the appliance is obligatory by law.
- The manufacturer declines any responsibility for any damage suffered by people, animals or things caused by failure to observe the rules given above.
- If the plug and socket are not of the same type, have a qualified electrician replace the socket.
- Do not use extensions or multiple adapters.

Electrical disconnection

Electrical disconnection must be possible either by unplugging the plug or by means of a 2-pole mains switch upstream of the socket.

Printed in Italy
10/12

5019 600 00141

